

### DESCRIPTION



#### CERTIFIED HIGH-SECURITY SHUTTER

The **DIAMOND BL** model is specifically designed to offer a high certified bulletproof and burglarproof protection. Thanks to its 50-mm high profiles, this model can be installed in small spaces, offering an FB4-S ballistic security (.44 Magnum), certified in compliance with standard EN 1522. In addition, this shutter will protect you from burglary attempts with a certified RC5 security in compliance with standard EN 1627, including an anti Molotov cocktail treatment. Ensure your peace of mind the **CBX**'s certified high-security.

### CERTIFICACIONES



#### RC5 BURGLARY RESISTANCE

RC5 resistance level against burglary in compliance with standard EN1627, EN 1628 and EN 1630 Test performed in standard measure of 1,940 mm x 2,460 mm.



#### FB4-S BULLETPROOF

FB4-S resistance level in compliance with standard EN 1522 (.44 Magnum).



#### C5 HURRICANE RESISTANCE

C5 resistance level (maximum level) according to standard EN 12424.



#### EC STANDARD REGULATION

In compliance with standard EN 13241 that guarantees the security of people, vehicles and goods.

### TECHNICAL REPORT

**Mod. DIAMOND BL. FB4-S BULLETPROOF (EN 1522) + RC5 BURGLARY RESISTANCE (EN 1627) + C5 WIND RESISTANCE(EN 12424).** Extruded aluminium shutter, EC. Manufactured with stright slats of 50 mm double wall in high-resistance duralumin alloy. Fixed with lateral stainless-steel caps, inferior plinth reinforced with a double 100 x 30 wall and anti-friction nylon. GUIDE of 100 x 40 mm. Motorisation and electronic equipment adapted to the measures, weight, number of manoeuvres and type of access. The installation shall be performed by technical staff from **CBX Security**, after a customized study of the project.

### TECHNICAL CHARACTERISTICS

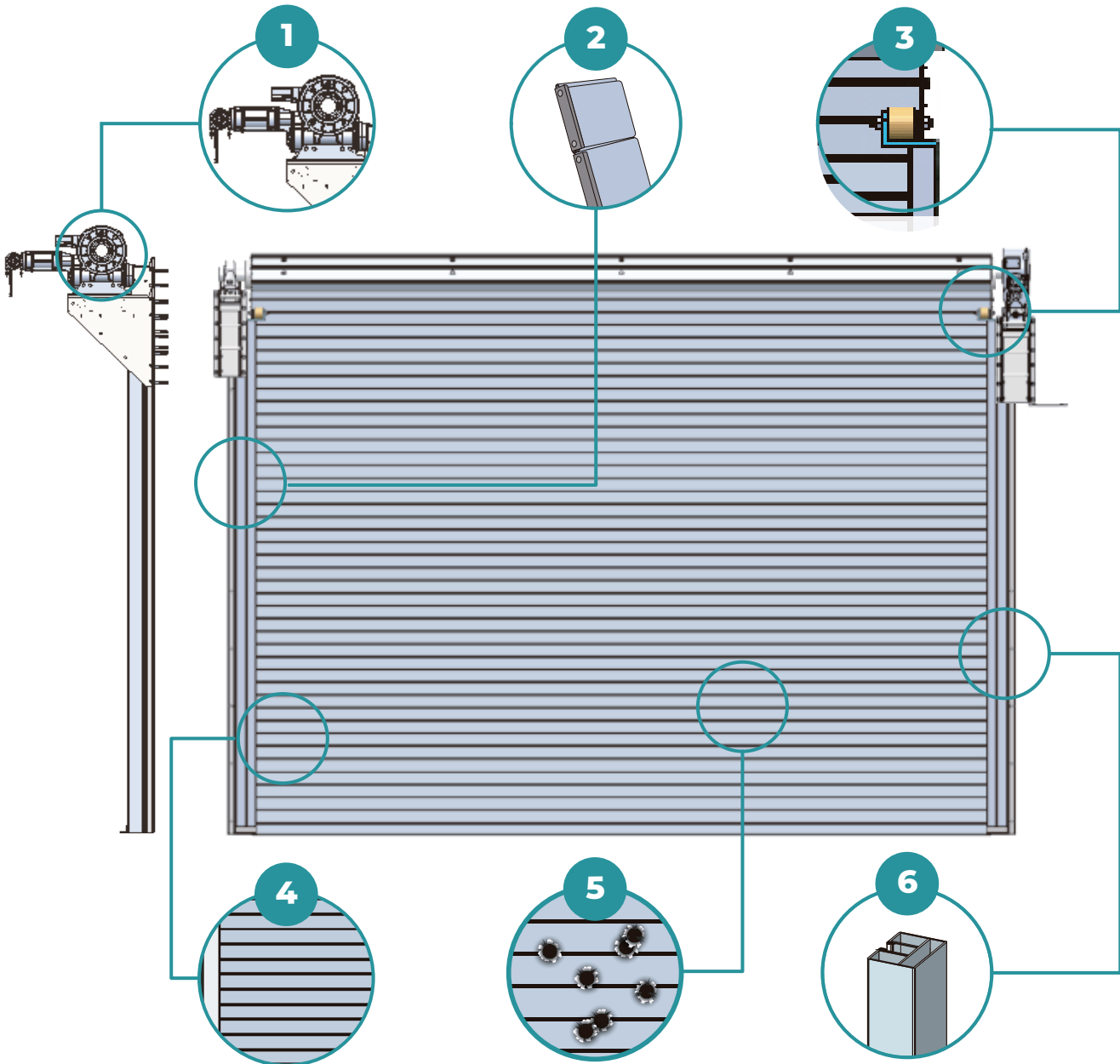
TISSUE	Highly resistant extruded aluminium reinforced with duralumin (Al, Mg, Si, Ti). Double wall profiles of 100 x 30 mm.
FINISHING	Crystalized treatment with high-resistance silver colour, called <i>crystal silver</i> .
GUIDES	Structure guides of 100 x 40 mm reinforced with double nylon for a minimum friction (no lubrication).
MEASURES / WEIGHT	7,000 mm x 9,000 mm (max. available including guides). Mass 46.7 kg/m <sup>2</sup> (approx).*
AXIS AND ENGINE	Single-phase and three-phase electrical engines, tubular or lateral and pair, calculated for the specific dimensions of each project. Required electrical power from 100 to 4,000 W (peak power).
AUTOMATISMS	Automatic electronic equipment: 100-127 V   220-240 V   380-400 V   480-600 V (50/60 Hz).
THERMAL VALUES	U = 5.29 W/(m <sup>2</sup> · K)   Rt = 0.189 (m <sup>2</sup> · K)/W.

\*Special and maximum dimensions can be manufactured, depending on typology.

# DATA SHEET

## DIAMOND BL

Our innovative drive for the past 50 years has made us a market benchmark. We have developed dozens of international and exclusive **CBX** patents. We manufacture with top quality materials to offer our clients the best guarantee.



### 1 ENGINES

We provide high-capacity and high-quality engines, of up to 5,000 Nm of power, ready for any type of international voltage.

### 3 ANTI-WEAR / ANTI-FATIGUE SHIELDED BEARINGS

Exclusive system with shielded bearings of 10 Tn, making the shutter work properly and always guiding it without fatigues or distortions.

### 5 BULLETPROOF AND BURGLAR-PROOF SYSTEM

Our exclusive profiles support projectiles of 7.62 x 51 mm, FB6-NS (AK 47 - Kalashnikov), and burglary attempts of RC6 class (maximum burglary/terrorist resistance on international level).

### 2 SYSTEM OF EXCLUSIVE STAINLESS STEEL CAPS

They do not break or rust, avoiding the profiles of the shutter to pop out laterally, causing expensive failures (exclusive of CBX).

### 4 ANTI MOLOTOV COCKTAIL FINISHING

This exclusive **CBX** system repels Molotov cocktails through a special treatment applied to the shutter that repels fire and prevents the Molotov cocktail from adhering.

### 6 REINFORCED PROFILES

**CBX** manufactures all its shutters in an extruded aluminium alloy of high-resistance that allows sizes of up to 7,000 (width) x 5,500 (height) mm, and 5 Tn of weight.